

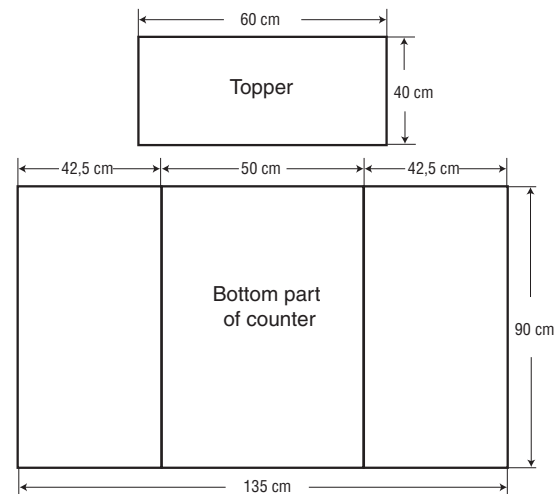


SPECIFICATION OF SUPPLIED DOCUMENTS FOR PRINT / REQUIREMENTS FOR PRINT PDF

- Specific format (see technical drawing) + 5 mm bleed in all four sides
- Fonts should not be messed up (either converted into curves or part of pdf)
- Pictures and logos saved in CMYK, minimum resolution of pictures 200 dpi in size 1:1
- Trim marks
- Do not use colour profiles when preparing pdf

Print PDF data should be prepared in 1.3 version. Data in higher versions of PDF (1.4.) can cause printing problems.

SIZES OF GRAPHIC AREAS



Counter length / Ground plan

